

ITER	DESCRIPTION	DR (CAR APPROV)	DATE
1	SEE SHEET ONE	SW	6/27/68

REVISIONS

2

3

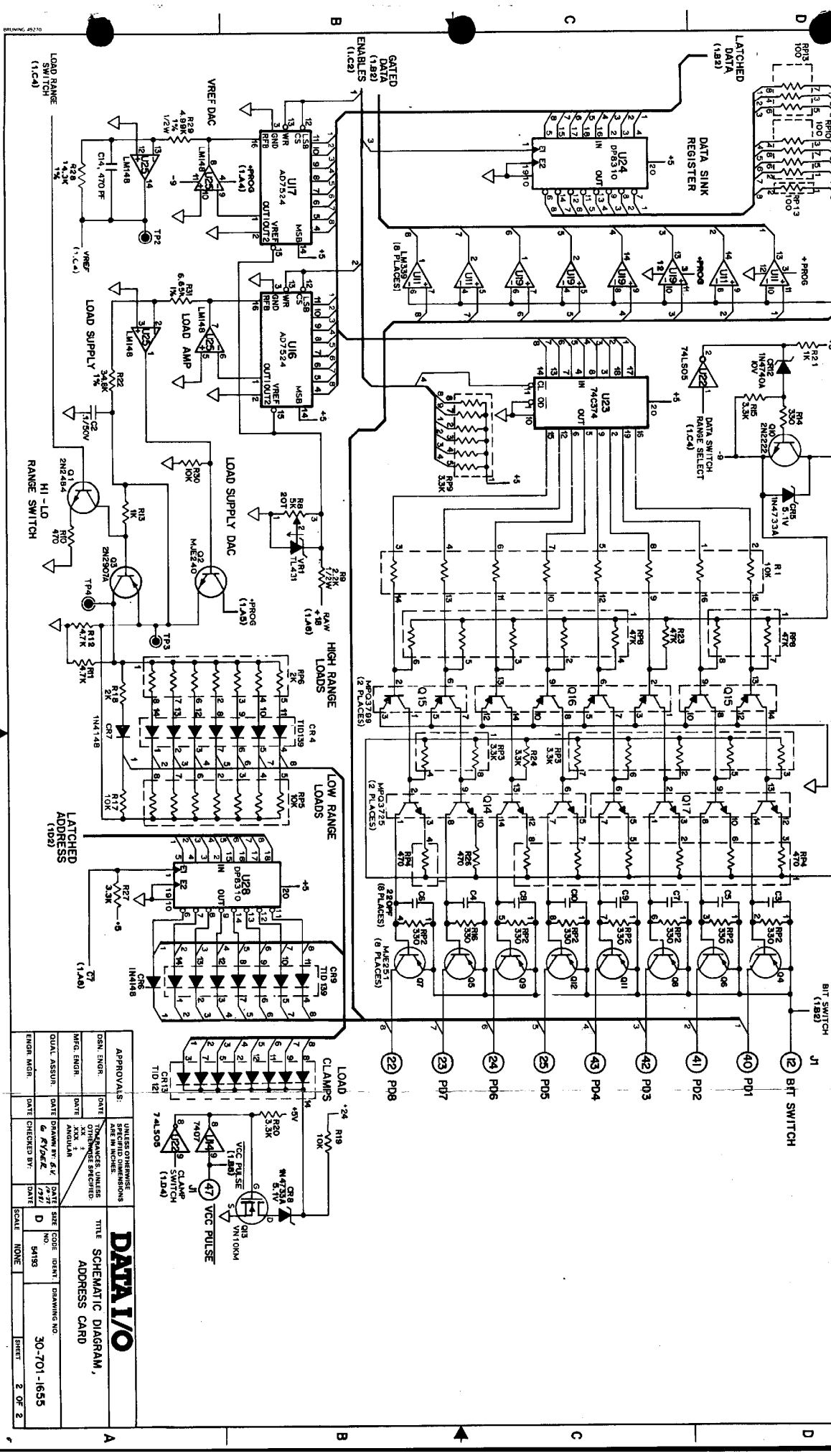
4

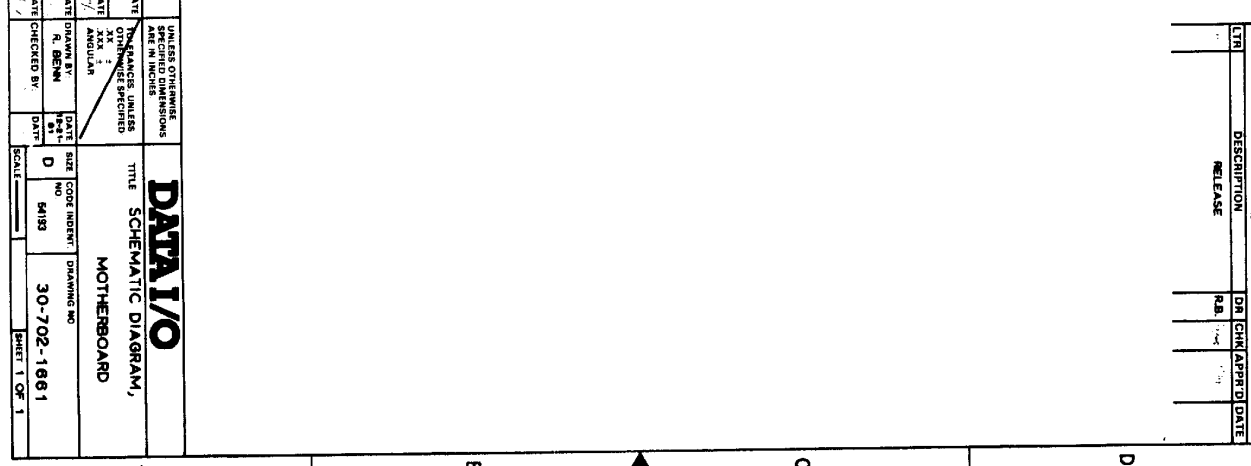
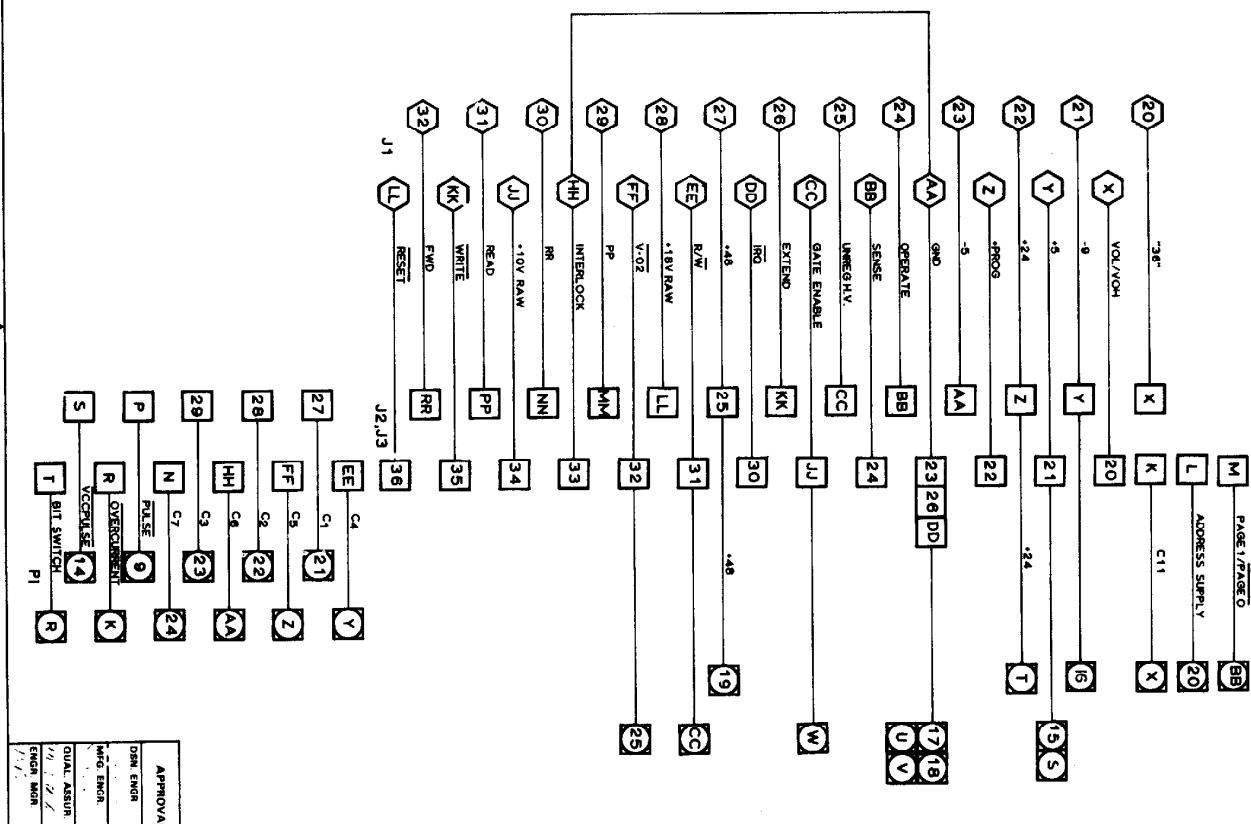
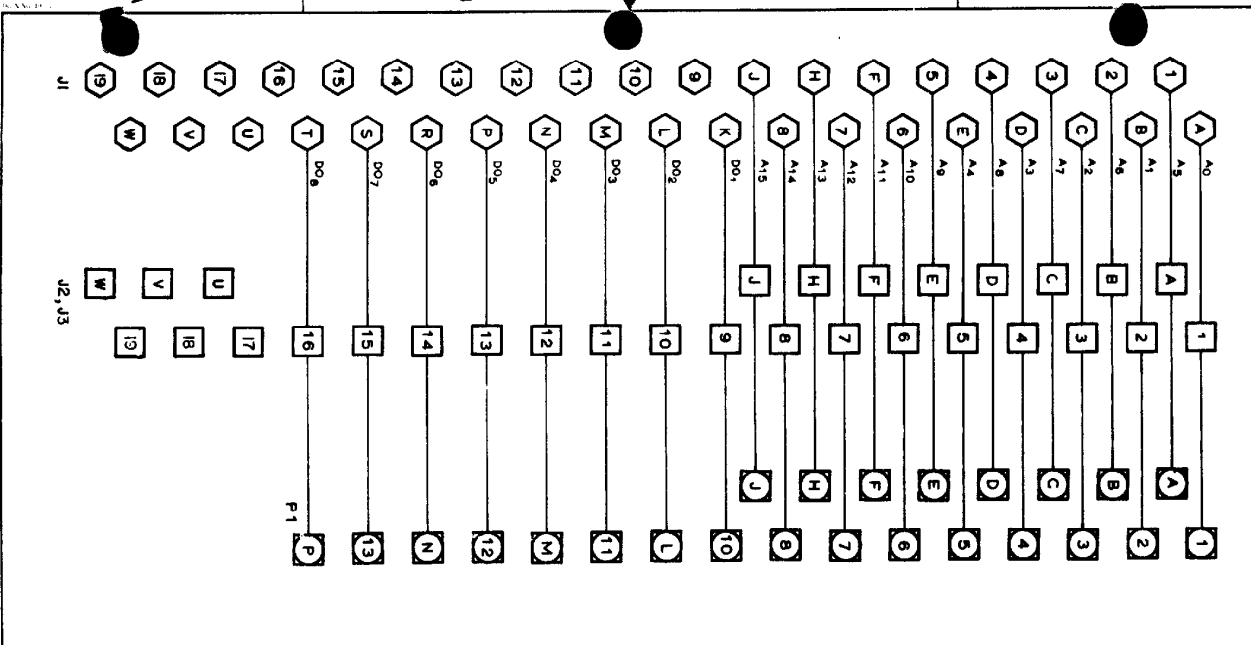
5

6

7

8





REV	DESCRIPTION	DATE	CHK APPR'D
	RELEASE		

DATA I/O

UNLESS OTHERWISE SPECIFIED, DIMENSIONS ARE IN INCHES

TITLE: **SCHEMATIC DIAGRAM, MOTHERBOARD**

DRW NO: 30-702-1661

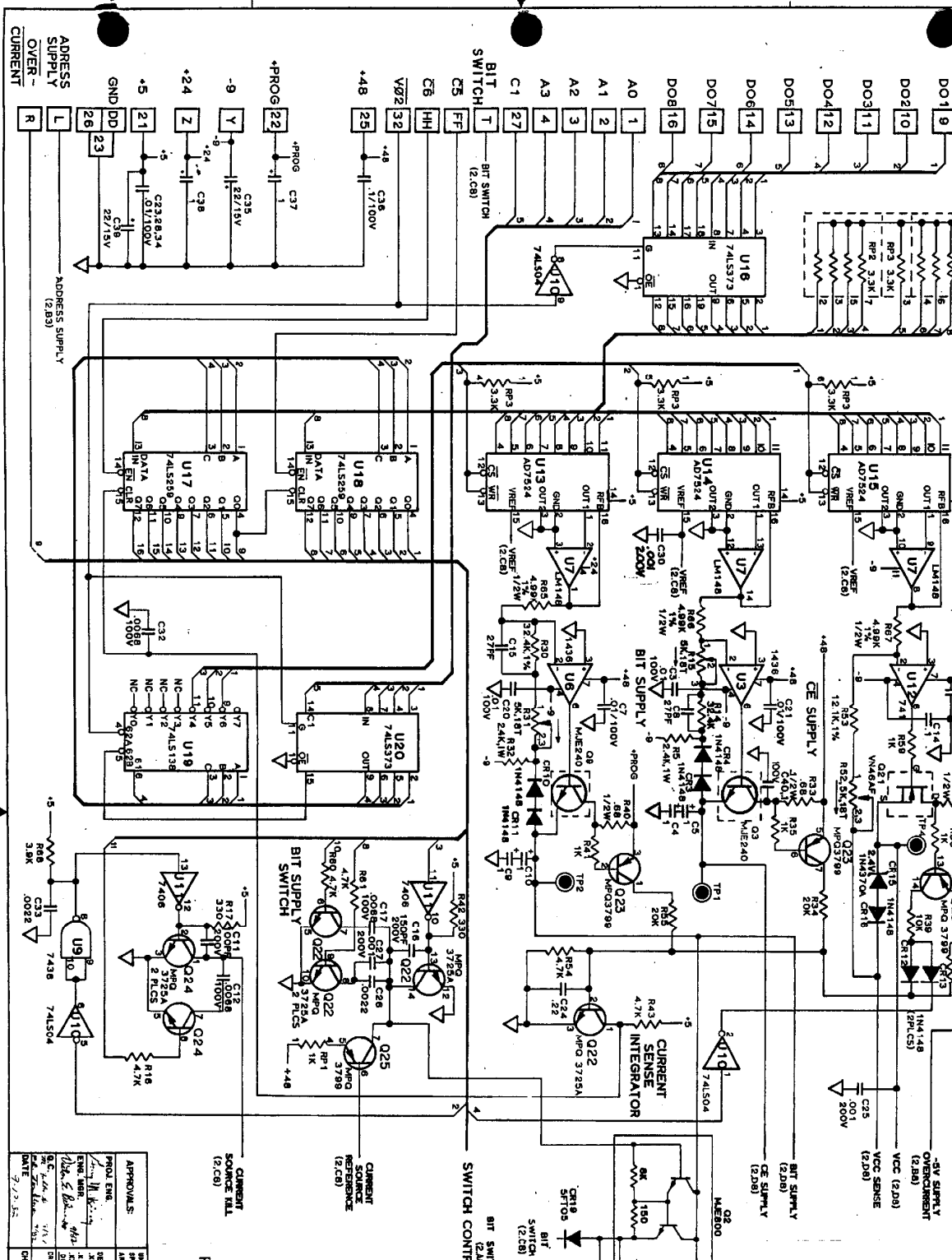
DRAWING NO: 30-702-1661

DATE: 10/2/77

SCALE: 1 OF 1

APPROVALS:	DATE	UNLESS OTHERWISE SPECIFIED, DIMENSIONS ARE IN INCHES
DRW ENGR		
CHK ENGR		
QA/ASSN		
ENGR MGR		

REVISIONS		DR	CHK	CM	RF	DATE
1	ECN #5040	RELEASE				9/82
2	INC. ADDN BY REV. ECP0022					4/12/82

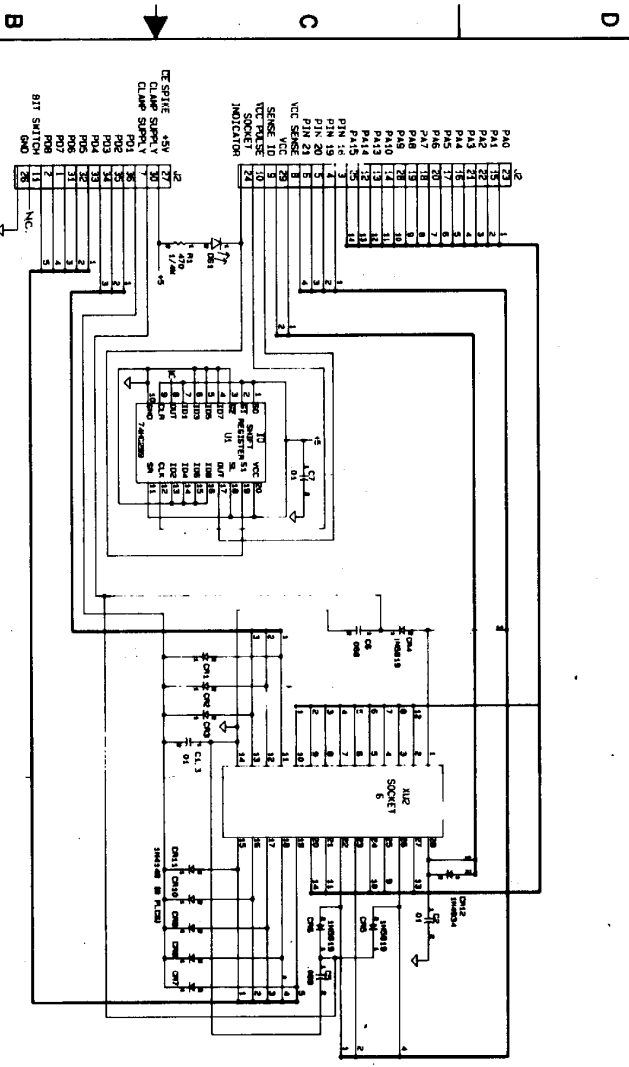


- NOTES: UNLESS OTHERWISE SPECIFIED
1. ALL RESISTORS ARE 1/4W AND IN OHMS, 5%.
 2. ALL CAPACITORS ARE IN MICROFARADS, 50V, 10%.
 3. LAST REFERENCE DESIGNATOR USED
 4. IC: NO. 15V GND
U17-19 16 8
U16,20 20 10
U8-11 14 7

P/N 702-1690-004

APPROVALS:		TITLE	
DESIGNER	DATE	DATE	SCALE
CHKD BY			
APP'D BY			
DRAWN BY		SIZE	
CHECKED BY		SHEET	
DATE		SHEET	

LTN	DESCRIPTION	DR	CHK	APPR'D	DATE
A	RELEASE	MP	DS	DS	4/15



P/N 701-0154-001

DATE	2/78	UNLESS OTHERWISE SPECIFIED DIMENSIONS ARE IN INCHES.	DATA I/O	REVISION, WHEN
DRAWN	[Signature]	TOLERANCES UNLESS OTHERWISE SPECIFIED:	SCHEMATIC DIAGRAM	
CHECKED	[Signature]	FRACTIONAL DECIMALS: .005, .010, .015, .020, .030, .040, .050, .060, .070, .080, .090, .100, .150, .200, .300, .400, .500, .600, .700, .800, .900, 1.000	UNIDIC II	
DESIGNED	[Signature]	ANGLES: 30°, 45°, 60°, 90°, 120°, 135°, 150°, 180°	PINOUT CARTRIDGE NO. 1	
TESTED	[Signature]	DO NOT SCALE DRAWING	SIZE	30-701-0154
SCALE	1/4"		FIG. NO.	5178
			DRAWING NO.	30-701-0154
			SCALE NOTE	SHEET 1 OF 1